

TABLE PRO

FACT SHEET



TABLE PRO



UX
DESIGN
AWARDS

Nominated
2015



reddot award 2015
winner

Interior
innovation
award
2015
Winner

**GERMAN
DESIGN
AWARD
WINNER
2016**

**GERMAN
DESIGN
AWARD
GOLD
2017**

**GOOD
DESIGN**

TECHNICAL DATA

	TABLE PRO LINEAR		TABLE PRO RADIAL	
Product #	9215	with lamp base	9216	with lamp base
	9217	with clamp	9218	with clamp
	9219	with pin	9220	with pin
Colours	01 black 02 white 23 aluminium			
Dimensions	Height:		300 mm – 900 mm	
	Radius:		100 mm – 700 mm	
	Lamp base: (W × D × H):	250 mm × 250 mm × 8 mm	Lamp base: (Ø):	270 mm × 8 mm
	Clamp (B × T × H):		90 mm × 75 mm × 100 mm	
	Pin (Ø):		90 mm	
Material	Aluminium, zinc, steel (lamp base), glass, plastic			
Weight	9215: 6,5 kg 9217 and 9219: 2,5 kg		9216: 5 kg 9218 and 9220: 2 kg	
Energy efficiency	A++*			
Protection type	IP 20			
Protection class	III ⚡			
Illuminants				
LEDs	2 cold white & 2 warm white LEDs (CREE)			
Power consumption	10,5 W**			
Luminous flux of luminaire:	neutral white 680 lm* Boost 900 lm**			
Light intensity	neutral white 566 cd* Boost 746 cd**			
Illuminance	1,000 lux at a height of 75 cm			
Luminous efficiency	neutral white 73 lm/W* Boost 75 lm/W**			
Colour temperature (CCT)	2.700 K <-----> 6.500 K			
Colour reproduction index	≥ 80			
Operating temperature on lamp head	≤ 40°C at 25°C ambient temperature			
Burning life	over 50,000 hours			
Standby consumption	≤ 0,5 W			
Nominal voltage	12–14 V DC			
Protection class	II ☑			
VITACORE®				
Operation	via VITACORE® electronics or app			
Light strength setting	stepless up to 1,000 lux			
Setting of light colour	stepless between 2,700 and 6,500 Kelvin			
Boost function	for maximal cold white lighting at 1,000 lux			
USB charging ports	2 ports			
Touch panel	made of glass			
Power supply unit				
Desktop power supply	Europlug & BS 1363 (British 3-pin) plug			
AC cable length	1,2 m			
DC cable length	1,8 m			
Nominal voltage	100–240 V, 50–60 Hz			
Power consumption	1,5 A			
Output	max. 12 V, 48 W, 4 A DC			

*with warm white and cold white LEDs switched on, touch panel switched off, USB charging ports not being used

**with cold white LEDs switched on to 100%, touch panel switched off, USB charging ports not being used

TABLE PRO CLAMP (9217)

The clamp of LUCTRA® TABLE PRO allows the lamp to be attached to table thickness up to 78 mm. It allows wall mounting, too.

TABLE PRO PIN (9219)

The LUCTRA® TABLE PRO pin holds the lamp firmly in hole throughputs between 20 and 80 mm. With integrated cable management.

TECHNICAL VIEW

TABLE PRO LINEAR
BASE
9215

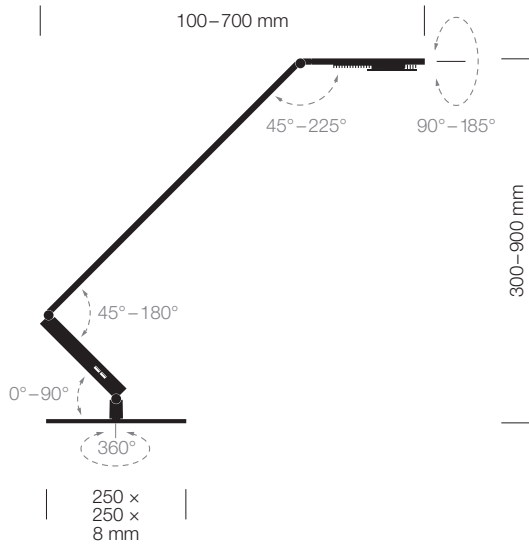


TABLE PRO RADIAL
BASE
9216

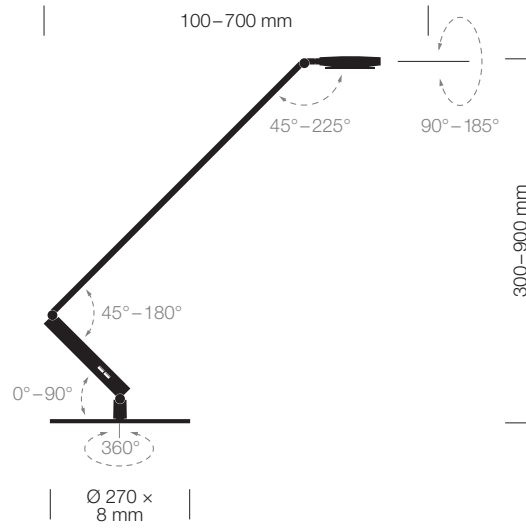


TABLE PRO
CLAMP
9217 LINEAR
9218 RADIAL

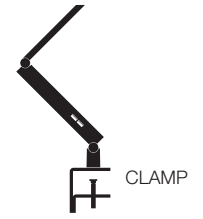
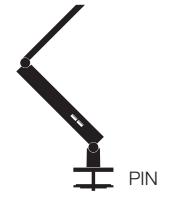
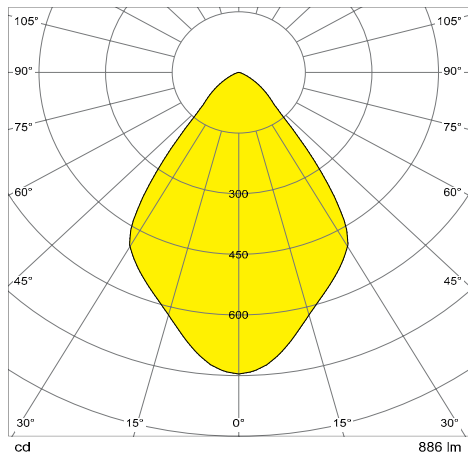


TABLE PRO
PIN
9219 LINEAR
9220 RADIAL



LIGHT INTENSITY DISTRIBUTION



Free download on
www.luctra.eu

LUCTRA

LUCTRA® is a brand of
DURABLE · Hunke & Jochheim GmbH & Co. KG
Westfalenstraße 77-79 · 58636 Iserlohn
P.O. Box 1753 · 58634 Iserlohn · Germany
Phone +49 2371 662445
info@luctra.eu · www.luctra.eu